

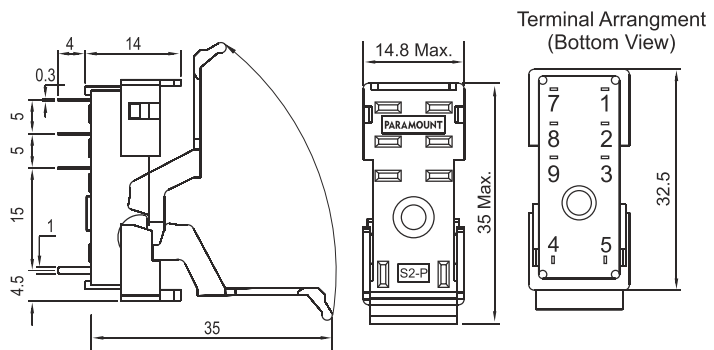
# S2-P

## Printed Circuit Socket (6A / 8A) for P2 Relays



### Dimensions

in mm.

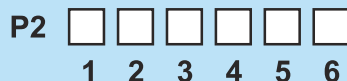


### Specifications

Nominal load	6A / BA @250V
Dielectric strength 1 min.	
Coil terminals to contacts	5 KV
Hard brass tin-plated terminals	0.3 x 1mm
Integrated Relay hold down clip	
Weight Approx.	6 gms.

### Ordering Information

Classification	Coil Ratings	Standard Types - DPDT (2C/O)
General Purpose	AC / DC	P2-F
LED Indicator & Flag Indicator		P2-FP
LED Indicator with Flag Indicator, Free Wheeling & Polarity Diode	DC	P2-FPZ
LED Indicator with Flag Indicator, Free Wheeling & Polarity Diode, Lockable & Manual Push Button		P2-FPZI



#### 1 : Relay Type

Blank : General Purpose / Standard

#### 2 : Contact Form

Blank : DPDT (2 C/O)  
A : DPST-NO(2 N/O)

#### 3 : Contact Type

Blank : Single

#### 4 : Features

Blank : No features / Standard  
F : Mechanical Operation Indicator  
P : LED Indicator  
Z : Free Wheeling + Polarity Diode  
I : Lockable + Manual Push Button  
B : Bridge rectifier  
R : R/C (Snubber Circuit)  
M : Magnetic Blow Out  
H : Heavy Duty Relay  
W : Free Wheeling Diode

#### 5 : Contact Material

Blank : AgNi  
1 : AgNi + Au 0.2μ  
2 : AgNi + Au 5.0μ

#### 6 : Rated Coil Voltage

6 / 12 / 24 / 48 / 110 - VDC  
6 / 12 / 24 / 115 / 230 - VAC

**Example** : P2-FPZI-1-24VDC means Standard, DPDT (2 C/O Contact), with Mechanical Operation Indicator, with LED Indicator, with Free Wheeling and Polarity Diode, with Lockable and Manual Push Button, with AgNi Contacts and 0.2μ Gold Flash with 24 VDC Coil